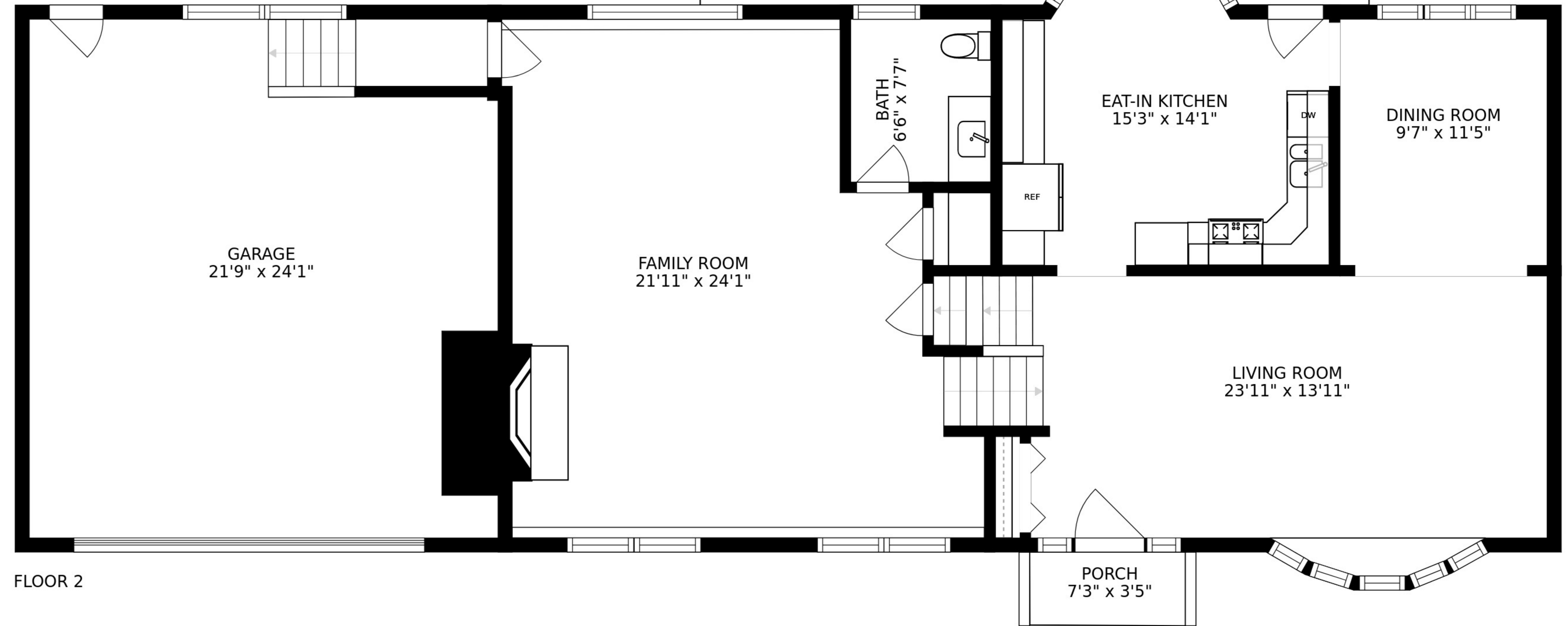
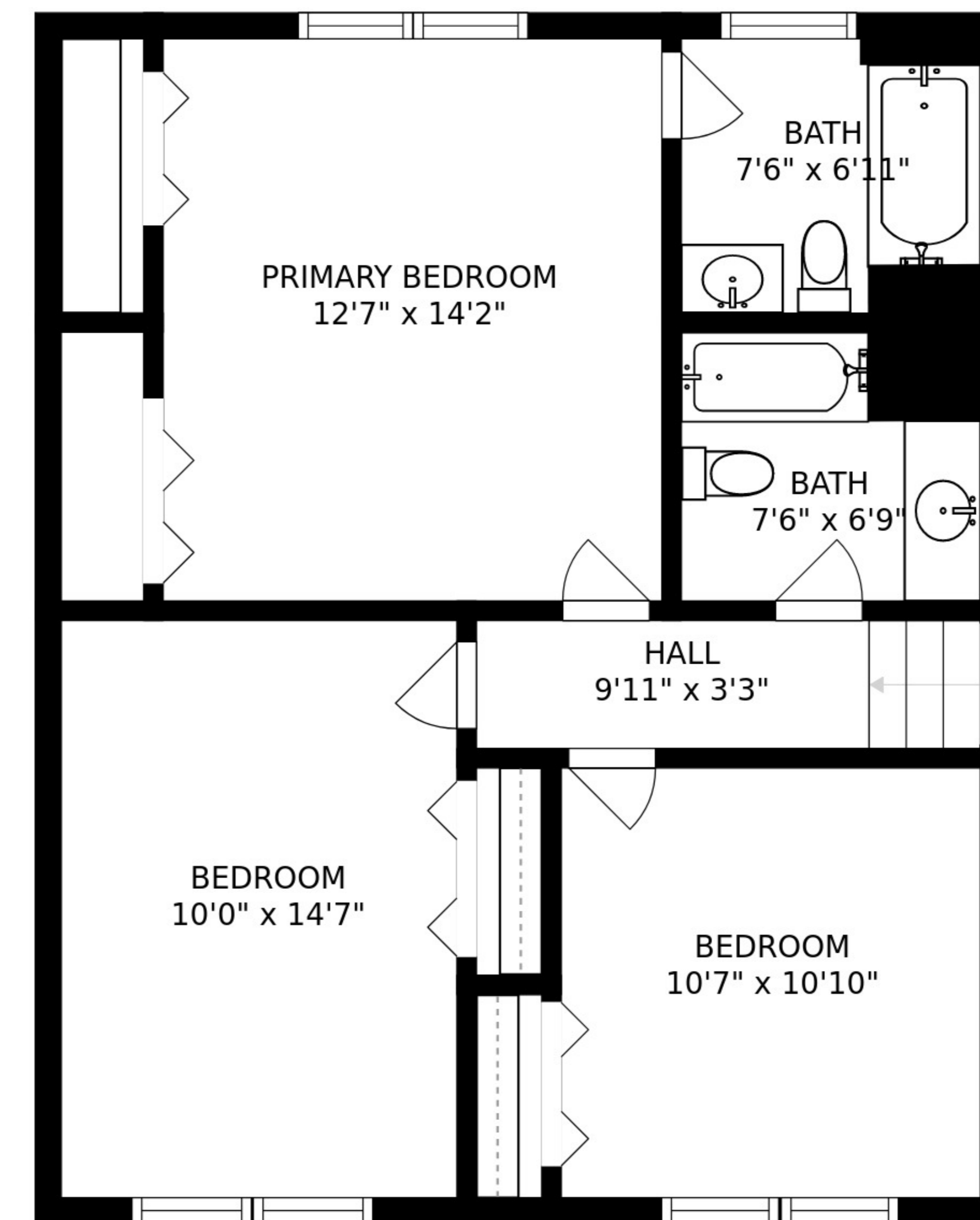


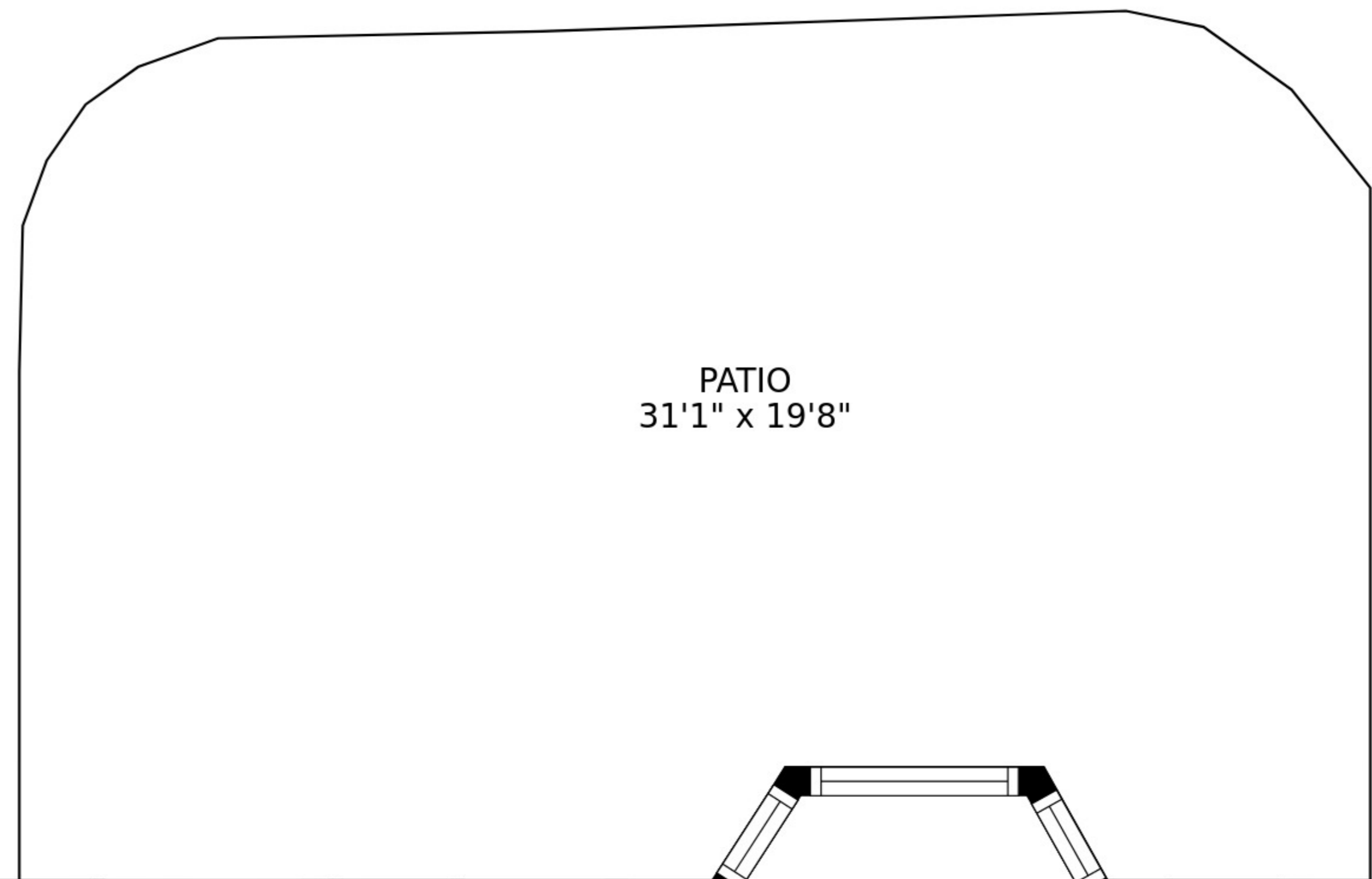
FLOOR 1

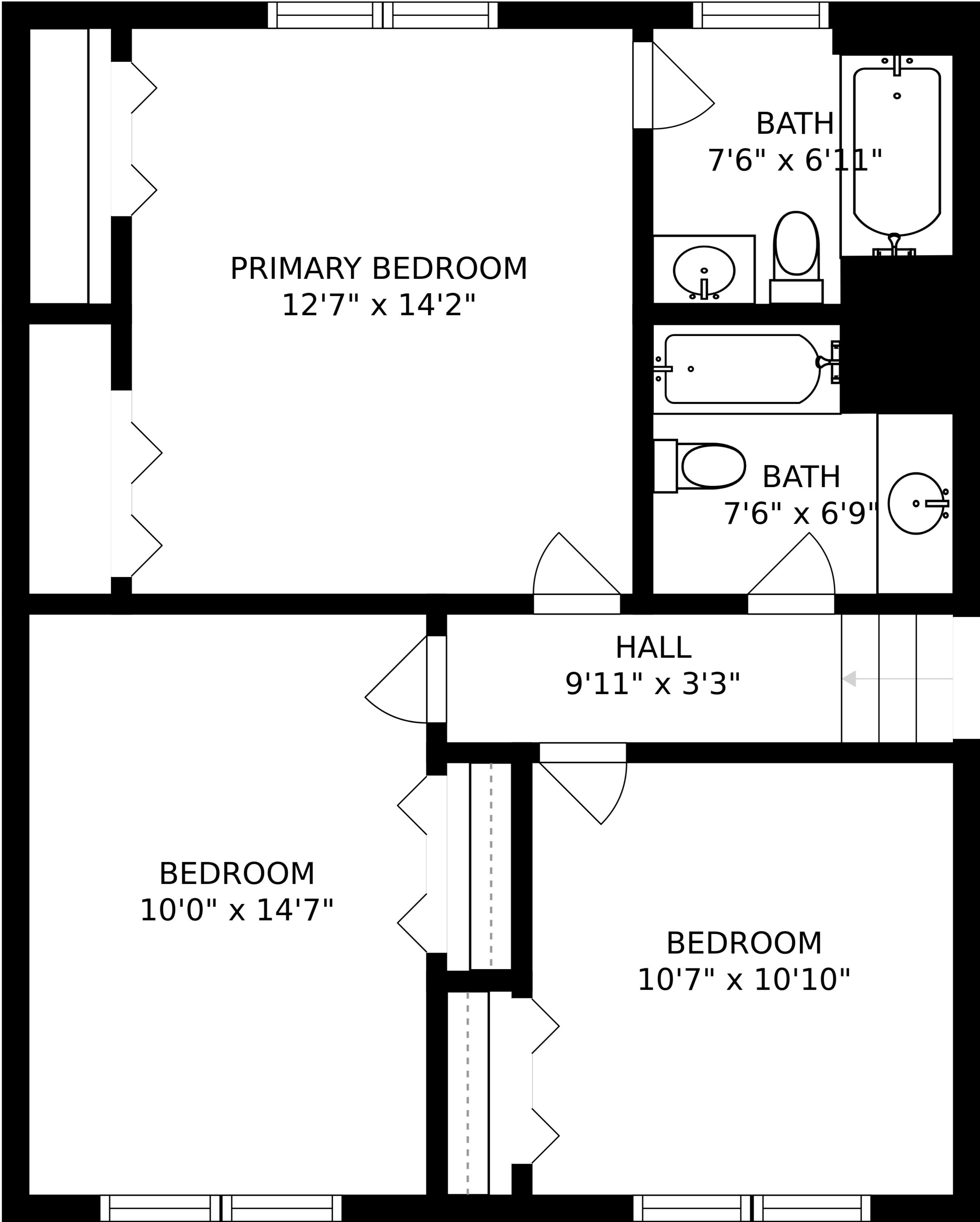


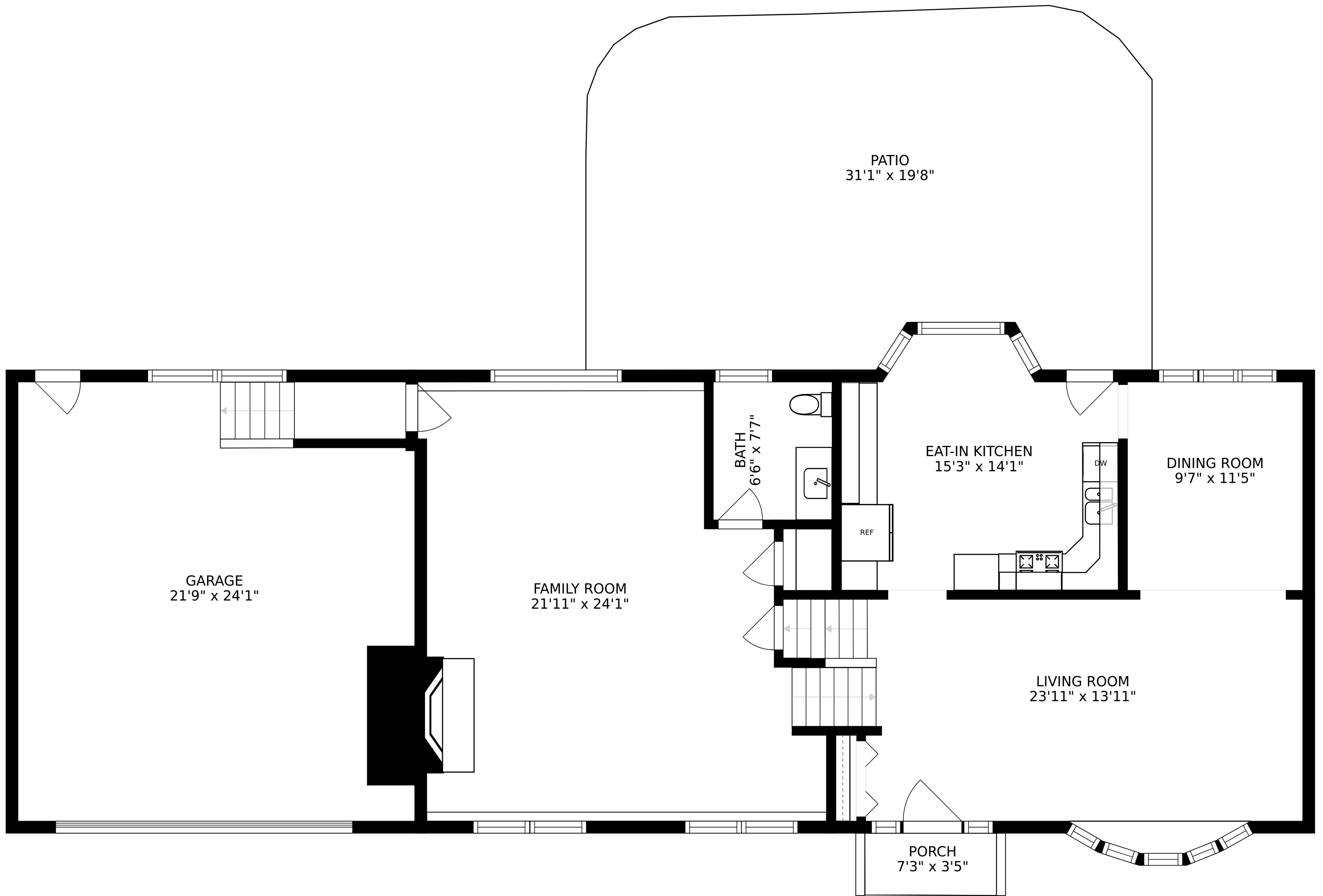
FLOOR 2



FLOOR 3







PATIO
31'1" x 19'8"

GARAGE
21'9" x 24'1"

FAMILY ROOM
21'11" x 24'1"

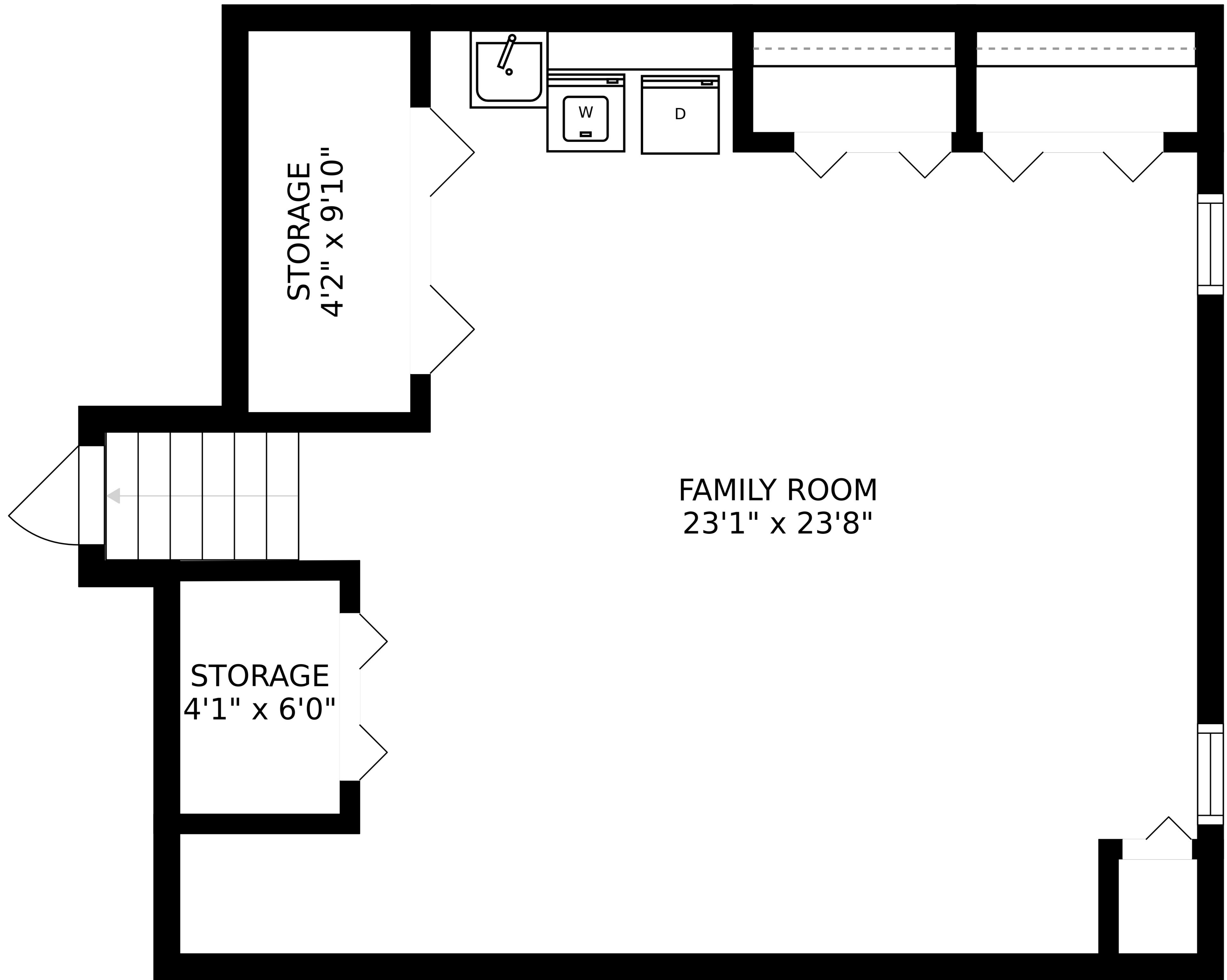
BATH
6'6" x 7'7"

EAT-IN KITCHEN
15'3" x 14'1"

DINING ROOM
9'7" x 11'5"

LIVING ROOM
23'11" x 13'11"

PORCH
7'3" x 3'5"



STORAGE
4'2" x 9'10"

FAMILY ROOM
23'1" x 23'8"

STORAGE
4'1" x 6'0"